

A NEW TECHNIQUE REVIEW FOR THE GRID CONNECTED WIND- PV USING BACK TO BACK VOLTAGE SOURCE CONVERTERS BY FUZZY CONTROLLER

ARAVINDAN R¹ & MALAISAMY S²

¹Research Scholar, Department of Electrical and Electronics Engineering, PRIST University,
Thanjavur, Tamil Nadu, India

²Assistant Professor, Department of Electrical and Electronics Engineering,
Latha Mathavan Engineering College, Madurai, Tamil Nadu, India

ABSTRACT

The major objective of this project is to use a flow control to connect wind photovoltaic cogeneration utilizing back-to-back voltage converters. The utility grid is interfaced to a permanent magnet with a synchronous full-scale generator (BtB) voltage- source converter (VSCs). The BtB VSC's dc-link condenser comes with a PV solar generator directly. No conversion phases of dc/dc are needed. This means maximizing system performance. The suggested topology includes a separate maximum point tracking system for wind and PV generators for maximum renewable energy extraction. VSCs are regulated in the rotating reference frame using the vector control approach. To examine overall stability, detailed tiny signal patterns for the system components are produced.

KEYWORDS: New Technique Review, Grid Connected Wind- Pv

INTRODUCTION

Wind turbine generating (WTG) and photovoltaic (PV) technologies will play a major role in satisfying future demand among different renewables. The combination of wind and PV is cheaper to operate and more reliable[3]. One system's weakness can be offset by another's strength. Such a combination increases renewable energy production's overall economy and reliability. Renewable sources and electrical storage systems are connected by power electronic converters to the solitary hybrid system through a shared AC bus. The control goal for inverter based, isolated micro Grid is to accurately share power while maintaining an acceptable frequency and voltage of the system. Droop control is an acknowledged technique for accurate load sharing without communication infrastructure between parallel inverters. Droop loops control.

Because wind and solar energy is intermittent and unregulated, power-electronic converters are used as an interface phase on either the load side or the grid, and so distributed generation units are generated. The majority of distributed systems in literature are dedicated primarily to a form of renewable energy, e.g. solar energy or wind power, for example. The combination of wind and solar energy in the same area has been considered in order to optimise the benefits of the available renewable resources.

The following features are present in the cogeneration of wind and solar energy the availability of wind and solar energy are often complementary and hence the combination of both energy types boosts operating efficiency in general. the combination of wind and solar co- generators maximises the use of resources on land and hence increases expenditures in capital. Wind-solar cogeneration systems are more dynamically capable of supporting the utility network in comparison with the static PV generators due to the available time of inertia in the wind power generators mechanics the generation

dependability of two energy sources increases.

Wind-PV cogeneration systems connected to the grid are not widely covered. In contrast, for stand-alone off-grid applications, numerous wind-PV cogeneration systems were developed. An independent wind-PV cogeneration system is suggested. A single-phase cogeneration system was proposed at the small-scale stage and a laboratory-scale system was introduced. The system topology usually includes a common dc-bus that interfaces parallel connected renewable energy resources interfacing to converters, which can degrade system efficiencies overall and increase cost. Most notably, strict controller coordinations are required to prevent induced interactions, resulting in instabilities in the cascade connection of power converters. The dc-dc converter-interfaced PV generator and an energy storage unit is utilised in a back to back (BtB) power source converter, which is connected to a double-fed inductive generator. In it is proposed that a photovoltaic generator recharge a battery bank and connect to a wind generator via a VSC. In the wind-power cogeneration systems, the integration of renewable sources of energy with the minimum use of power-electronic conversion step is emphasised. However, for certain off-grid applications these methods are proposed.

A full survey of several CI applications in diverse power grid scenarios is provided in. Fuzzy logic system is one CI technology that combines regulating algorithms and logical reasoning to enable complicated and uncertain systems to be controlled. The FLC is developed to improve the dynamics of a single wind and diesel hybrid micro grid. In this case, FLC is a flowing logic controller. In this study, the thyristor switches are controlled by FLC for the purpose of frequency control of further sets of three phase resistivity loads connected in the network. In order to reduce the output power fluctuation of the WTG system, the fuzzy pitch angle controller is developed to reduce fluctuations in frequencies of the isolated microgrid. The optimum load share control is achieved in by droop control and fuzzy control systems amongst many inverters connected to smart house. Changing the droop characteristics of each PV system, battery storage and electric vehicle (EV) connected in a smart home will accomplish the ideal load-sharing. The correct load sharing current can be achieved by employing FLC in the low voltage DC microgrid for parallel DC-DC converter operation. In this way the FLC instantaneously calculates the virtual resistance, based on the converters' deviation in voltage of output, provides suitable sharing of load current, improving load tension and reducing flow between conversion machines. In this article, FLC modifies the VSI drop coefficient values for the PV and WTG DC systems of an isolated microgrid connected to each DC battery. As a consequence, the battery load, renewable generation and load profile share VSI connected to the battery system according to SOCs. Here, the FLC calculates the adjustment factor to update the drop value. According to their current drop rates, the connected batteries in each renewable generation share load. This procedure is being evaluated in an isolated microgrid based on the low voltage AC-connected wind and PV. The findings of the simulation demonstrate FLC's advantages and importance in improving the performance of wind and PV isolated microgrid.

CONTROL SYSTEM DESIGN

Photovoltaic, Wind Turbine, Grid System Modelling

This step is modelling small scale PV and Wind Turbine and its DC/DC converter to show the characteristic of power at different solar irradiation and wind speed in grid interconnecting system.

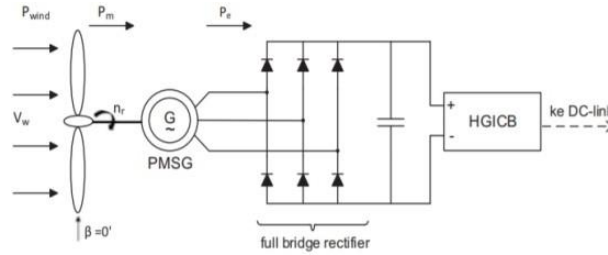


Figure 1: Equivalent Circuit of Photovoltaic Cell

Figure 1 shows the schematic diagram of hybrid PV/Wind that connects to the grid through a common DC bus at the inverter. The solar PV and PMSG Wind Turbine with the capacity connects to the DC-DC converter that have a MPPT function. The inverter, so the DC-DC converter use a VSC topology which have a high ratio to bring the output voltage of PV and WT to DC common bus voltage. The MPPT was applied to these HGICB converter using fuzzy logic controller (FLC) that achieve the maximum power from any irradiation and wind speed condition. The DC bus voltage is controlled by the inverter that it can in stable value. The inverter is VSC and use a fast decoupled current control to get synchronization with the utility grid. LC filter is use to damp the harmonic output voltage and current so its value must not exceed from the grid requirement.

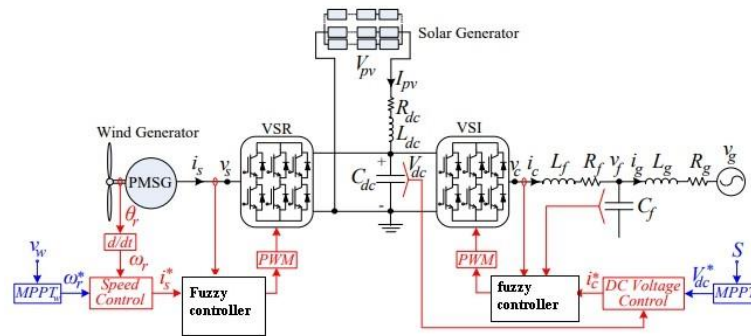


Figure 2: The Proposed Wind-PV Cogeneration System with Fuzzy Logic Controller

FUZZY LOGIC RULES

The quantity and range of uses of fluctuating logic have increased dramatically in recent years. The applications include consumer products like camera, washer and microwave, industrial process control, medical devices, decision-making systems and portfolio selection. Comprehension of what the application of futile logic means through foggy logic is growing. Two alternative dentitions have been given to fuzzy logic. Fuzzy Logic is in a narrow sense a logical system which is a multivalve logic extension. Nevertheless, in an overall sense of Fuzzy Logic (FL) the theory of Fuzzy sets is virtually synonymous, a theory that concerns classes of objects with sharp limits where membership is an issue. In this context, in its narrow sense, fugitive logic is a branch of fugitive logic. Construct a furious system of inference Fuzzy inference is a way to understand input vector values and assign output vector values depending on user provided rules. Using the Fuzzy Logic toolbox's GUI editors and viewers, you may establish the rules, set the membership features, and analyse how the inference system performs (FIS). The fuzzy controller has the following characteristics: 1. Five fuzzy inputs: NB (negative large), NS (negative small), Z (zero), PS (positive small), PB (negative small) 1. (positive big). 2. Simplicity functions of triangular membership. 3. Fuzzing via the continuous discourse universe (COD). 4. Implication with the 'min' operator of Mamdani 5. Defluence by the method "high."

CONCLUSIONS

This research introduced the BtB vector controlled grid-connected BtB VSCs in wind PV cogeneration systems. The VSR is responsible for obtaining the greatest wind power once the wind speed changes on the wind generator side. On the utility grid side, the VSI's duties are to extract maximum PV power from the PV generator, strike a balance between input power across the DC link condenser, and maintain a unit PCC voltage with different operating modes. Different types of PV packing systems are available on the system with time for grid linked operation. The different configurations have discussed these systems in detail. One can use any configuration with the suggested fuzzy system and source converter. Among these setups. In the domain analysis of the Laplace domain is also considered an impedance source converter with the benefit over the voltage source and current source.

REFERENCES

1. G. Eason, B. Noble, and I.N. Sneddon, "On certain integrals of Lipschitz-Hankel type involving products of Bessel functions," *Phil. Trans. Roy. Soc. London*, vol. A247, pp. 529-551, April 1955. (references)
2. Peng, Fang Zheng. "Z-source inverter." *Industry Applications*, IEEE Transactions on 39.2 (2003): 504-510.
3. Peng, Fang Zheng, Miaosen Shen, and Zhaoming Qian. "Maximum boost control of the Z-source inverter." *IEEE Transactions on power electronics* 20.4 (2005): 833-838.
4. Huang, Yi, et al. "Z-source inverter for residential photovoltaic systems." *IEEE Trans. Power Electron* 21.6 (2006): 1776-1782.
5. Badin R, Huang Y, Peng FZ, Kim HG. Grid interconnected Z-source PV system. In: *Proceedings of IEEE power electronics specialists conference*, Orlando, USA; 2007. p. 2328–33.
6. Jinjun Huang, Jianyong Zheng, Jun You, et al. Z- source three-phase grid connected PV system based on current hysteresis control. *Electr Power Autom Equip* 2010;30(10):94–7.
7. Sun, Dongsun, et al. "Analysis and control of quasi-Z source inverter with battery for grid- connected PV system." *International Journal of Electrical Power & Energy Systems* 46 (2013): 234- 240.
8. Li Y, Anderson J, Peng FZ, Liu DC. Quasi -Z- source inverter for photovoltaic power generation systems. In: *Proceedings of the twenty-fourth annual IEEE applied power electronics conference and exposition*, Washington (DC, USA); 2009. p. 918– 24.
9. Bradaschia F, Cavalcanti MC, Ferraz PEP, Neves FAS, dos Santos EC, da Silva JHGM. Modulation for three-phase transformerless Zsource inverter to reduce leakage currents in photovoltaic systems. *IEEE Trans Indust Electron* 2011;58(12):5385–95.
10. Raviraj, V. S. C., and Paresh C. Sen. "Comparative study of proportional-integral, sliding mode, and fuzzy logic controllers for power converters." *IEEE Transactions on Industry Applications* 33.2 (1997): 518-524.
11. So, Wing-Chi, Chi K. Tse, and Yim-Shu Lee. "Development of a fuzzy logic controller for DC/DC converters: design, computer simulation, and experimental evaluation." *IEEE Transactions on Power Electronics* 11.1 (1996): 24-32.

12. Hilloowala, Rohin M., and Adel M. Sharaf. "A rule-based fuzzy logic controller for a PWM inverter in a stand alone wind energy conversion scheme." *IEEE Transactions on Industry Applications* 32.1 (1996): 57-65.
13. Veerachary, Mummadi, Tomonobu Senjyu, and Katsumi Uezato. "Neural-network-based maximum- power-point tracking of coupledinductor interleaved-boost-converter-supplied PV system using fuzzy controller." *IEEE Transactions on Industrial Electronics* 50.4 (2003): 749-758.
14. Vinnikov D, Roasto I. Quasi-Z-source-based isolated DC/DC converters for distributed power generation. *IEEE Trans Indust Electron* 2011;58(1):192–201.
15. Anderson J, Peng FZ. Four quasi-Z-source inverters. In: *Proceedings of IEEE power electronics specialists conference, Rhodes, Greece; 2008.* p. 2743–9

